

Gyrotedders

GF 102 / 1002 / 1012 SERIES



www.kuhn.com



be strong, be **KUHN**



GF 422 502 582 642 5202 5902 6502 7802 7902 7802 T GII 7902 T GII 8700 8712 10812
8712 T 10812 T 13012 17012

SPEED UP THE DRYING PROCESS



High-quality forage demands a coordinated and optimized harvest operation, taking into account crop, relief, climate, areas to harvest and storage method. Because every extra nutrient given to animals in their basic ration helps reduce the required concentrates.

SPEED UP THE DRYING PROCESS

Tedding is a key link in the harvesting chain because it accelerates drying. The aim is simple: preserve the energy value of the forage and limit weather related risks. The small KUHN rotors are the key to success here!

RELIABLE MACHINES ARE OF UTMOST IMPORTANCE

KUHN Gyrotredders are not only designed to handle the crop properly but to be reliable as well. The best example for this is the tried and tested DIGIDRIVE rotor drive coupling.

LOOKING FOR VERSATILE AND ADAPTIVE IMPLEMENTS

To optimize your basic ration, the forage harvest implements have to adapt to versatile situations. KUHN Gyrotredders are as adaptive as you need them.

Gyrotredders in brief:

Models	Working width (m/ft)	Number of rotors	Tine arms per rotor	Power requirement (kW/hp)
GF 422	4.20 / 13'9"	4	6	15 / 20
GF 502	5.00 / 16'5"	4	6	15 / 20
GF 582	5.75 / 18'8"	6	5	20 / 27
GF 642	6.40 / 21'	6	6	22 / 30
GF 5202	5.20 / 17'1"	4	7	17 / 23
GF 5902	5.90 / 19'4"	6	5	20 / 27
GF 6502	6.50 / 21'3"	6	6	22 / 30
GF 7802	7.80 / 25'7"	6	7	30 / 40
GF 7902	7.80 / 25'7"	8	5	30 / 40
GF 7802 T GII	7.80 / 25'7"	6	7	30 / 40
GF 7902 T GII	7.80 / 25'7"	8	5	30 / 40
GF 8700	8.70 / 28'5"	8	6	36 / 50
GF 8712	8.70 / 28'5"	8	6	36 / 50
GF 10812	10.80 / 35'5"	10	6	40 / 55
GF 8712 T	8.70 / 28'5"	8	6	36 / 50
GF 10812 T	10.80 / 35'5"	10	6	40 / 55
GF 13012	13.00 / 42'7"	12	6	59 / 80
GF 17012	17.20 / 56'4"	16	6	73 / 100

DRY WITH THE SPEED OF LIGHT



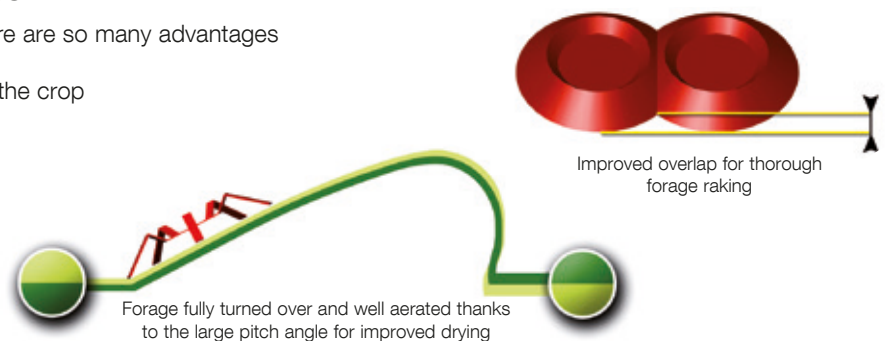
SMALL ROTORS = GREAT RESULTS

33 % time saving for drying with small diameter rotors
(Source: Weser Ems Chamber of agriculture)

SMALL ROTORS ARE THE KEY TO SUCCESS!

Experts are convinced and users swear by them. There are so many advantages when it comes to producing a first class crop:

- work with a wide angle of attack while turning all of the crop
- uniform, fast drying
- fully effective crop inversion
- unrivalled uniform distribution
- exceptional ground adaptation minimum distance to centre of gravity on mounted tedders for reduced lift requirements
- reduced horsepower requirements



THEORY BACKS THE PRACTICE

The table below shows clearly the effect of various pitch angle settings on tedding efficiency. A large angle reduces the drying time considerably.

PITCH ANGLE Difference in height between rotor front and rear	Flat angle 24 cm / 9"	Aggressive angle 40 cm / 15"
Distribution precision		
- good	14%	29 %
- average	46%	39 %
- poor	39%	32 %
Dry matter content		
Basic product	20.7 %	20.7 %
after 4 hours	26.0 %	28.6 %
Average drying speed		
Increase in the D.M./hour level	1.33 %	1.98 %
Theoretical drying time to obtain 30 % D.M.	7 hours	4.7 hours

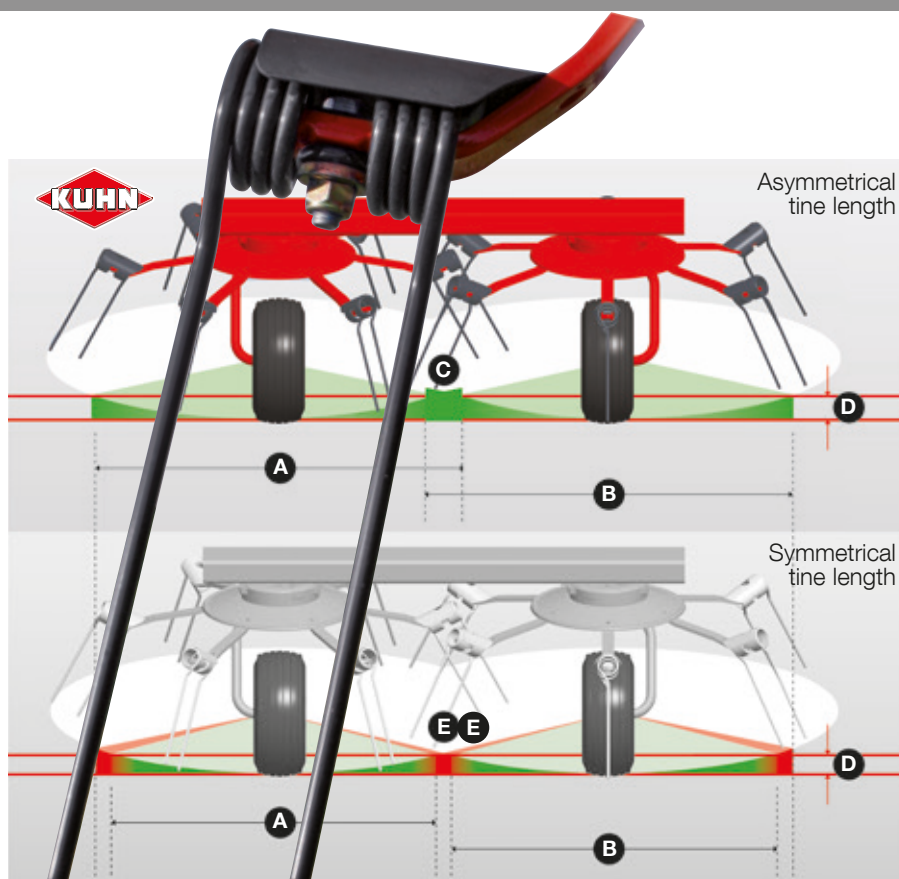
CROP FULLY PICKED UP WITH THE ASYMMETRICAL TINES

Nothing has been overlooked: top quality raw materials, two prongs of different length to ensure clean pick-up, four coils and specially-designed attachment system to the arms. Several hundred hours of operations before having to replace the tines! Metal guards prevent forage from building up around the coils.



TINES THAT ENGAGE WITH THE FORAGE EARLIER

Asymmetrical tine length with longer outer fingers produces high quality tedding. The outer finger moves into the forage earlier compared to a symmetrical design. This ensures a more complete tedding operation, even on field borders and between rotors (C) (E), due to better tine overlap in this tricky area. Moving into the forage earlier means that the actual working width of each rotor (therefore the machine) is larger.



A Working width rotor 1 - **B** Working width rotor 2 - **C** Overlapping area
D Working height (DIN norm) - **E** Sensitive area

SIMPLY GREAT FORAGE!

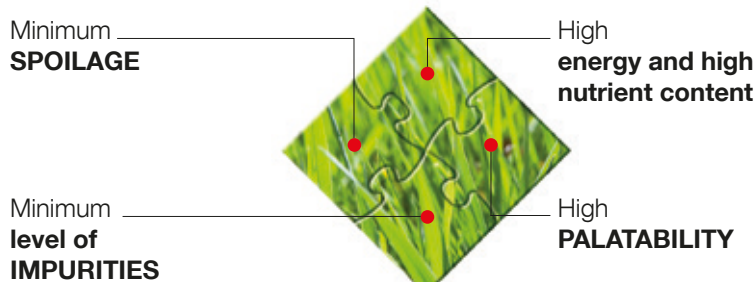
Did you know that you can save concentrates worth 89 €/ha per year, just by reducing the impurities in the forage from 4 to 2 %*? We are at your side to help you produce forage of top quality to realize according gains.

We would like to pass on our know-how in forage production, gathered during several decades of producing hay/silage making implements.

We provide advice for you to produce first-class animal feed.

We help you to understand the strong points of our machines in order for you to use them in an optimal way to preserve the quality of your forage.

With the KUHN expertise, you will harvest forage with...



*Source: Agricultural chamber Weser-Ems, Germany.

Find all our expertise on forage.kuhn.com

DIGIDRIVE: LEGENDS IN THE MAKING

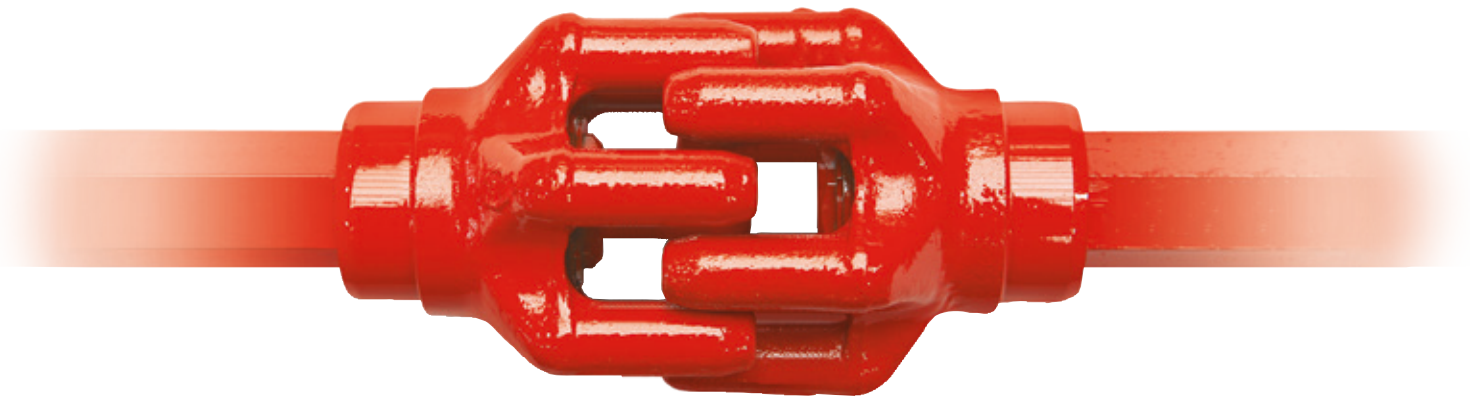
THE ORIGINAL FINGER COUPLING

When a KUHN engineer invented this drive concept, tedding entered a new era.

From that moment on, it became possible to drive many rotors with one system, and to fold them into extremely compact positions with no maintenance required. A revolution!

Today, there are over a million rotors with the DIGIDRIVE system tedding forage all around the world, on the different types of terrain, with exceptional reliability.

MADE OF CASE-HARDENED FORGED STEEL!

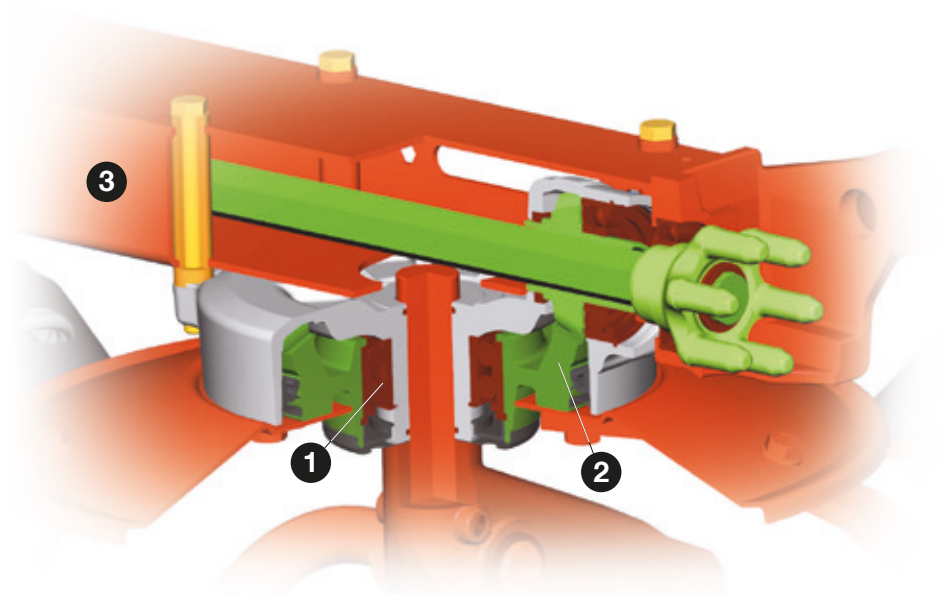


MINIMIZED MAINTENANCE

With DIGIDRIVE-driven rotors and rotor housings lubed for life, the greasing points are limited to a relatively few pivot points allowing you to spend more time in the field and less at the shop.

FURTHERMORE, THE ROTOR HOUSINGS ARE MADE TO LAST:

1. Support by large diameter, double-row angular ball bearings,
2. Thoroughly sealed rotor housing prevents lubricant leakage or introduction of contaminants,
3. Robust mounting of housings to the periphery of broad rectangular frame maximizes strength and rigidity.





100% OF FORAGE IN THE FIELD IS TEDDED

For neat and tidy tedding along fences and neighbouring fields, machines (except GF 8700 / 13012 / 17012) are equipped with an oblique control system. Oblique mode is particularly useful on slopes, to control flow trajectory and create optimum spread. Mounted Gyrotedders of the 1002 series are fitted, as standard, with centralised mechanical oblique setting (hydraulic as an option). Trailed Gyrotedders of the 1002 series are equipped, as standard, with hydraulic oblique setting, simply controlled from the cab. The whole range of mounted and trailed Gyrotedder 1012 has oblique mode as an option with in-cab hydraulic control. A double acting cylinder with pilot-operated valves ensures safe functioning and no risk of untimely misadjustment.

FAST TINE ANGLE ADJUSTMENT

Long or short forage, wet or dry, different cutting heights: pitch angle is set without tools. Never forget: a pronounced pitch angle leads to quicker drying and higher nutritional value in the forage!

GROUND CONTOURING

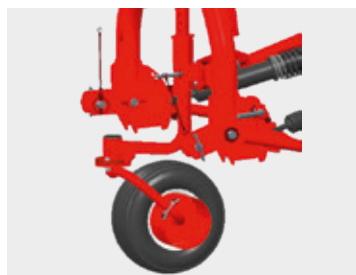
The rotors ride on large-diameter wheels. Well-proportioned tyres that run close to the tines provide excellent tine height control and great ground adaptation. Fewer impurities are incorporated resulting in improved forage quality.

TO MAKE YOUR GYROTEDDER EVEN MORE EFFICIENT



CROP DEFLECTORS PREVENT WRAPPING ON WHEEL COLUMNS

Operating in young sugar-rich crops or long late-season crops can be a challenge. Forage can get wrapped around the wheel columns resulting in downtime spent clearing the mess. That's why most KUH N Gyrotedders starting from the GF 5902 are fitted with crop deflectors as standard!



ALL TERRAIN ADAPTATION

Placed under the frame or hitch bar and therefore near the tines, this additional wheel improves the raking quality in hilly terrain.

- In case of a change of tractor, the adjustment of the tine height in relation to the ground remains unchanged.
- The additional wheel can also be used as a spare wheel.



FOR OPERATIONS THAT REQUIRE NIGHT WINDROWS

The Duplex reduction gearbox is used to reduce the rotor rotation speed by 45 %. Night windrows can thus be produced quickly and easily. On the GF 13012 and 17012 tedders, the PTO speed is reduced from 1,000 to 540 min⁻¹ to obtain the same night windrowing function.

GF 422 502 582 642

ECONOMICAL, HIGHLY EFFICIENT

Cost control is an essential issue on many farms. With the 102 series range, KUHN provides you with tedders which have all the features required for high-quality tedding without too much sophistication.



GF 422



GF 582





GF 502



SIMPLICITY AND PERFORMANCE

At work, the rotors faithfully follow the tractor, thanks to their pivoting headstock. Activate the hydraulic valve and the tractor lift raises the rotors for transport.

In this position, the rotors are automatically centred and locked; fast and safe transport.



GF 642



INDIVIDUAL OBLIQUE POSITIONING

Each wheel can easily be adjusted obliquely and without tools for accurate tedding along edges, without losing or wasting precious forage.

GF 5202

COMPACT BUT EFFICIENT

The GF 5202 is a simple, economical 4-rotor machine. It has a working width of 5.20 m and a hydraulic folding system. It is perfect for farmers with a limited annual area to ted. Its large diameter rotors fitted with seven tine arms make this tedder particularly useful for tedding long, dense crops.



OBLIQUE FOR THE EDGES

The GF 5202 size makes it particularly appropriate for tedding small fields. Under these conditions, tedding along fences or other neighbouring crops may represent a considerable proportion of the work. With its central oblique positioning, the machine fulfils this requirement perfectly.



COMFORT AND SAFETY DURING TRANSPORT

The tractor's hydraulic valve is used to fold the external rotors up and move onto the road with a width below 3.00 m / 10'. With standard equipment including signalling and lighting panels, the GF 5202 tedder is ready for transport in complete safety.

GF 5902 6502

THE COMPACT 6-ROTOR TOOL

High-quality output on a compact tool is priority on these two models: six small-diameter rotors ted the forage gently without incorporating dirt. Forage is distributed evenly so it dries in record time. Low-consumption tractors are perfectly adapted to driving the implement, even on very rough ground.



TRANSPORT WIDTH LESS THAN 2.55 M / 8'4" (GF 5902)

Barely wider than the tractor, driving comfort is incomparable and access to the narrowest fields is no problem. The height remains reasonably low.



A TRIED AND TESTED HEADSTOCK

Resulting from long experience, this headstock is particularly suitable for this size of machine

- strong construction,
- effective recentering on slopes,
- reduced overhang.



NO FORAGE LOSS

100% of forage teded on your plot with centralised mechanical or hydraulic oblique position setting.

LARGE DIAMETER ROTORS FOR LONG AND DENSE CROPS

Equipped with six rotors with seven tine arms each, the GF 7802 tedder is the ideal tool for spreading three large swaths produced by a 3.00 m / 10' mower conditioner. The rotors are designed to handle long and dense crops.



ROCK SOLID STABILITY

The exclusive and patented stabilising system that equips these Gyrotedders is the combination of powerful springs and hydraulic suspension. Unrivalled suspension and driving comfort are particularly appreciable for high-speed tractors. The rotors remain stable and well aligned behind the tractor even when putting on the brakes suddenly on turns.



CLEVER FOLDING

Although wide when working, GF 7802's six rotors fold into a space which is compact enough to facilitate road travel and access to narrow fields.



GF 7802 at work in oblique position along a border.

SMALL ROTORS ARE TOP QUALITY TEDDERS

With a working width of 7.80 m and eight small-diameter rotors, these Gyrotedders have the ideal features for high quality output. Small-diameter rotors ensure excellent tedding. They are also the key to fast drying, excellent ground hugging and less impurities in the forage.

- Hydraulic suspension keeps the machine stable when turning in the field. With two large shock absorbers, the tedder smoothly and automatically returns to the centre when it is lifted.
- Integrated springs enhance the flexibility of the machine and keep it in the best working position at all times.
- Integrated rubber mounts absorb the shocks on bumpy paths while the suspension system controls machine movements.
- GF 7902: central parts made of cast iron!



COMPACTNESS ENSURED

In spite of the considerable working width, the small-diameter rotors limit overhang so that it can be used with lower power tractors. The height is exceptionally low.



Signalling and lighting panels are standard. Yokes for higher lift linkage are available as option for tractors with little linkage lift height.

GF

7802 T GII

7902 T GII

A DESIGN WHICH MAKES THE DIFFERENCE

These semi-mounted systems are designed for use with low to medium-power tractors so that you can reduce your running costs. They are comfortable to drive, easy to use and have a long service life. The T GII semi-mounted models have 7.80 m working widths and offer a choice between 2 rotor designs:

- Large rotor, adapted to long, dense forage, with the GF 7802 T G II.
- Small rotor, if you require optimum forage turning, with the GF 7902 T GII.

THE GF 7902 T GII WITH ITS SMALL ROTORS:

Ideal for optimum forage turning that speeds up drying



THE GF 7802 T GII

with its large rotors: adapted to working in long, dense forage



WHEELS IN FRONT OF THE ROTORS

Where the transport wheels are lifted during work, you need solutions which will reduce weight on the central rotor wheels. By locating the transport undercarriage in front of the rotors, only part of the weight is borne by these central wheels, the rest being absorbed by the drawbar and the tractor.

There are undeniable advantages:

- less stress on the central rotors,
- fewer ruts in wet conditions,
- improved ground following.

On bumpy terrain, a kit with two complementary wheels fitted on a swinging shaft can be mounted in front of the rotors for improved ground following.

HYDRAULIC SYSTEM FOR OBLIQUE SETTING PROVIDED AS STANDARD

On these professional machines, field edges or tedding on slopes is managed as efficiently as possible in incomparable comfort: activate a control valve and the machine is ready to work in oblique mode to left or right.



COMPACT AND UNIVERSAL COUPLING

GF 7802 T G II and GF 7902 T G II semi-mounted models are among the most compact tedders on the market which makes them very easy to handle. They are easy to attach to all tractors with a cat.2 3-point attachment system.

Practical: on bumpy terrain you can raise the front of the rotors slightly for easier passage.

A CLEVER FOLDING SYSTEM

Lowering the transport wheels is combined with the rotors tilting forwards. Thus in transport position, the height dimension is reduced, load distribution on the tractor is optimal and road behaviour at high speed is perfect.

GREAT ADAPTABILITY

The new GF 8700 Gyrotedder with a working width of 8.7m comes as an addition to the GF 8712. The design of the GF 8700 is highly compact while providing a considerable working width. It is perfectly adapted to small tractors.



PERFECTLY SUITED TO SMALL TRACTORS

The GF 8700 is highly compact while providing a considerable working width for a 3-pt mounted machine.

- The centre of gravity is 200mm closer to the tractor compared to the GF 8712.
- It is 15% lighter than the GF 8712.



BORDER DEFLECTOR

A hydraulically controlled border deflector is available as an option to stop the crop from being ejected outside the plot.



A STABLE AND MANOEUVRABLE TEDDING TOOL

Two lateral stabilisers with mechanical brake provide stability when turning, as does a machine-to-tractor load-transfer feature for transport.

Headstock with $\pm 22^\circ$ angular travel range makes the machine highly manoeuvrable in tight plots.



PRIORITY ON OUTPUT QUALITY

Excellent output quality is produced by the 1.5m small-diameter rotors and reduced distance between wheel and tines.

With the asymmetrical tines, a pitch angle of 18.5° is achievable, and this makes raking more effective between the two rotors.

All of these great features enable the machine to adapt to ground contours, and dirt contamination in the forage is kept to a minimum.



REDUCED MAINTENANCE TIME - FIELD-TESTED ROBUSTNESS

The rotor casings are waterproof, greased for life and maintenance-free (the same design as the 1002/1012 range). The rotor drive with DIGIDRIVE fingers made of forged, case-hardened, treated steel is perfectly suited to intensive use, even with a large operating-angle range. This limits maintenance time to a few minutes per day.

GF

8712

10812

8712 T

10812 T

PLOT POINTS DESERVE YOUR ATTENTION TOO

Narrow plots and points will no longer be a worry for users of the new GF 8712 and 10812 mounted Gyrotedders and GF 8712 T and 10812 T trailed Gyrotedders thanks to the HLC (Headland Lift Control) rotor-lift system. Simply activate the valve to lift the rotors a minimum of 50 cm from the ground in less than 5 seconds.



50 CM IN 5 SECONDES

Trailed or mounted machine, benefit from the speed of the HLC system that raises the rotors at headlands.

Your central rotors will reach a height of 50 cm and the outer ones will rise even higher. Gain confidence and work output with an easy-maneuvre tool:

- Reverse in points.
- Headland turns made simple.
- Cross your fragmented plots without folding the machine. Ditches are no longer a problem!

High ground clearance of rotors prevents any forage build up when passing over large windrows.



Paul Schouten, dairy farm in the Netherlands.
 This farmer invested in a 10-rotor GF 10812 to gain in work output compared to a smaller model. With 4 cuts it was necessary.

"The HLC system of this tedder is unique. It's an excellent system that makes it easy to turn on headlands without any element touching the forage. The rotors are raised at the same time as the lift linkage and we can turn very easily."



HIGH QUALITY FORAGE, EVEN IN THE POINTS

The HLC system, improves tedder reactivity considerably when reversing and manoeuvring. This ensures the quality of your forage over the entire plot even in the tightest fields. The impressive height of the HLC rotor lift system means you can:

- Easily pass over large amounts of forage without any of it building up around the wheels. The forage is turned once only including in headland areas.
- Reverse on uneven ground without picking up impurities (soil, stones) due to components touching the ground.

SMALL ROTORS. EXCELLENT DISTRIBUTION.

The GF 10802 T GII tedder has convinced the DLG testers among other points with its complete crop inversion and high distribution quality in grass silage and hay. Find below a brief summary of the DLG Fokus Test results.



Test criterion	Test result	Evaluation*	Comments
Crop pick-up	complete and tidy	N/E	regardless of the speed of travel
Transverse distribution in grass silage	very uniform	N/E	
Transverse distribution in hay	uniform	N/E	
Contamination in grass silage***	low	+	best possible evaluation in test
Contamination in hay***	low	+	best possible evaluation in test

Source: DLG Test Report 6245 F, 11/14.

* Based on the DLG testing framework for Gyorakes ** Possible evaluations: - / 0 / + / ++ (0 = standard, N/E = not evaluated) *** Possible evaluations: - / 0 / + (0 = standard, N/E = not evaluated)

GF 8712 10812

HIGH WORK OUTPUT. COMPACT.

The new large width GF 8712 and 10812 Gyrotedders are productive and compact. Our 8.70 and 10.80 metre mounted machines won't take up all the space in your storage sheds, they will however, give you high work output and easy handling. You'll be able to work an average of 10 ha/hour with the GF 10812, the widest mounted machine in our range.

BUILT FOR ALL- ROUND EFFICIENCY

On the road and in the shed, our new Gyrotedders are designed to save space and for easy handling.



DON'T BE AFRAID TO COUPLE THE MACHINE TO A SMALL TRACTOR

On the road, comfort is absolute.

Width and height do not exceed classic road dimensions.

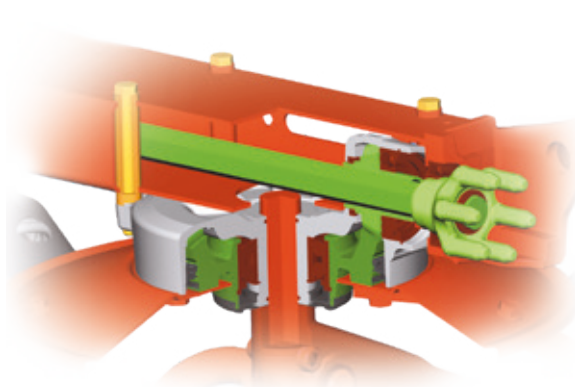
(3 metres wide, 3.25 and 3.65 metres high for the GF 8712 and GF 10812 respectively). Plot access is easy with the shorter length and substantial under-rotor clearance. The patented linkage system between the headstock and the beam ensures:

- Ideal road suspension,
- Perfect stability on turns and at work,
- Just the right load transfer between the machine and the tractor.



QUALITY : TEDDING LIKE A 4-ROTOR

The 1.5 metre small diameter rotors turn the forage completely. Individual rotor joints, identical spacing and asymmetrical tines ensure that all the forage is teded, even when it is long or dense and on uneven ground. Adjust pitch angle in just 2 minutes (no tools required) to adapt to the quantity of forage.



10 MINUTES PER DAY

Maintenance consists in greasing the PTO shaft, no more. The DIGIDRIVE finger coupling and the rotors need no maintenance and a double seal prevents any lubricant leakage or dirt in the rotors.

100% OF FORAGE TEDDED ON YOUR PLOT

Hydraulic oblique position setting comes as an option. It allows you to project forage up slopes.

GF**8712 T****10812 T**

HIGH OUTPUT WITH NO COMPROMISE ON TEDDING QUALITY

Don't miss out on our trailed Gyrotedders GF 8712 T and 10812 T. They combine outstanding manoeuvrability (with the HLC (Headland Lift Control) system) and unrivalled tedding quality.



33% SHORTER DRYING TIME

Tests have proven (see page 4) that small rotors accelerate drying time by around 33%. During testing, theoretical drying time for 30% of D.M. was 7 hours with large rotors and only 4.7 hours for small rotors. Pitch angle is more aggressive and forage is not only moved but turned. This results in faster drying and great quality forage. Pitch angle is adjusted easily, no tools required.



SIMPLY GREAT QUALITY FORAGE

Preventing impurities ensures the quality of forage. Each rotor has individual pivot and equal spacing for great ground contouring. Asymmetrical tines always operate parallel to the ground and turn the forage without scraping.

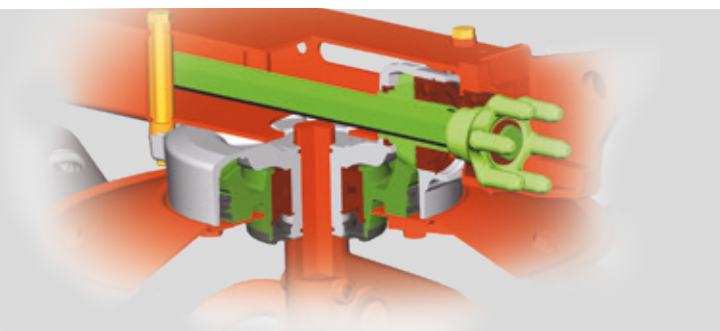


DON'T HESITATE TO COUPLE THE IMPLEMENT TO A SMALL TRACTOR

On the road, comfort is absolute. It has one of the most compact transport positions on the market (3 metres wide, 3.15 and 3.30 metres high for the GF 8712 T and GF 10812 T respectively) which makes it very easy to handle. The 3-point linkage system and cleverly placed transport wheels provide just the right load transfer between the machine and the tractor for rotor lift during windrow crossing or folding/unfolding. Wide transport wheels (300 mm), located close to the machine's pivot axis enable easier manoeuvring. They make the machine reactive on bends and easier to drive.

EASY ADJUSTMENT OF WORKING HEIGHT

To save time and ensure top quality output, height adjustment is made easy. Simply adjust the height of the tractor's link arms.

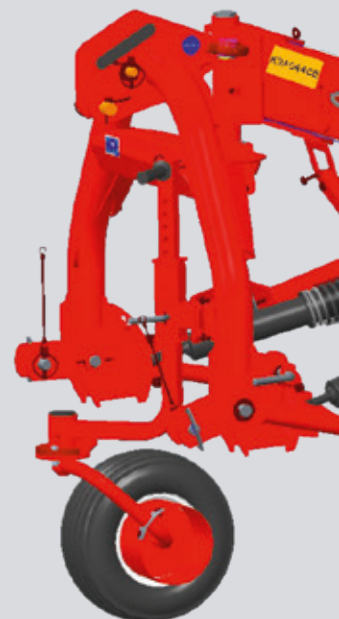


10 MINUTES PER DAY

Maintenance consists in greasing the PTO shaft, no more. The DIGIDRIVE finger coupling and the rotors need no maintenance and a double seal prevents any lubricant leakage or dirt in the rotors.

FOR INCREASED PRECISION

Use a support wheel for improved ground following. Setting the machine in hydraulic position is available as option. On slopes, it allows ejecting the forage uphill.





GF

13012

17012

TED UP TO 15 HECTARES AN HOUR

Both GF 13012 and GF 17012 are performing models, fitted with 12 and 16 rotors respectively, combining an exceptional tedding output with minimized drying time. This enables an even drying of the whole field and makes the best of weather windows when the crop is at the optimal stage: the ideal insurance to harvest quality forage!



STRAIGHT AND NEAT EDGES

These extra-wide Gyrotedders also function well in small fields and have the ability to perform irreproachable work along field borders. A hydraulically controlled curtain deflector limits the discharge on the right side and is available as optional equipment.



AN INTELLIGENT DESIGN

The two outer sections are held in place by straps. They are used to reduce stress on the main frame and rotor structures. Thanks to the fastening to the rotor ends, the two sections remain perfectly stable, without any oscillation. The straps also double as safety guards, replacing the traditional metal guards that are heavy and often distorted or fragile after a few seasons. When folding for transport, the two straps automatically wind up like a safety belt.



CROSS OVER DITCHES QUICKLY AND EASILY

The HLC headland control system makes it so easy. Just activate the hydraulic valve to lift the rotors from the ground, in just a few seconds, in order to pass over a ditch that divides two fields or to make a headland turn. High rotor clearance from the ground prevents forage from building up during manoeuvres over voluminous windrows. KUHN's large-width Gyrotedders have been designed with a "headland" feature. The rotors lift simultaneously to facilitate headland turns. High ground clearance prevents the forage from being turned a second time thereby preserving its quality. Cross over ditches quickly and easily.

ALL TERRAIN ADAPTABILITY



INNOVATIVE GROUND CONTOURING

The 16 rotors of the GF 17012 model follow uneven ground perfectly:

- The exclusive GSC (Ground Save Control) system allows the rotor gear train to swing independently of the carrying frame.
- The chassis weight is held by the large transport wheels during work.
- The small-diameter rotors adapt individually to the ground contours and carrying frame, thus ensuring efficient and fast forage turn over.
- The wheels, located as close as possible to the tines, limit the displacement of impurities into the windrows and ensure a long service life.



Armand Ladonnet, GAEC of the Sauvegarde, Lorraine, France. This French farmer has been tedding with the new generation GF 13012 tedder from KUHN and is especially satisfied with its high work quality:

"Winding terrain is not a problem, the machine follows without scraping the ground. Before the arrival of the GF 13012, we moved large quantities of soil in the bales during the tedding process. Since we started with this machine, there are no more impurities in the bales which allows obtaining even storage quality and no longer requires redirecting bales due to poor quality. If someone would take it away from us tomorrow, I don't know how we would manage. When we consider the work achieved with the previous machine with regards to the current one, there is no match, we can count on its reliability."

EXTREME COMPACTNESS

DREAM DIMENSIONS!

There is no need to extend your machine shed, the 17 m (55'8") of GF 17012 won't take up any more room than some of the 10 m (32'8") rotary tedders on the market!

The road transport can also be done in absolute comfort:

- width and height do not exceed those of the tractor.
- easy access to fields with its reduced length, the position of the axle assembly and large rotor clearance.



1

2

3

4



INGENIOUS FOLDING KINEMATICS

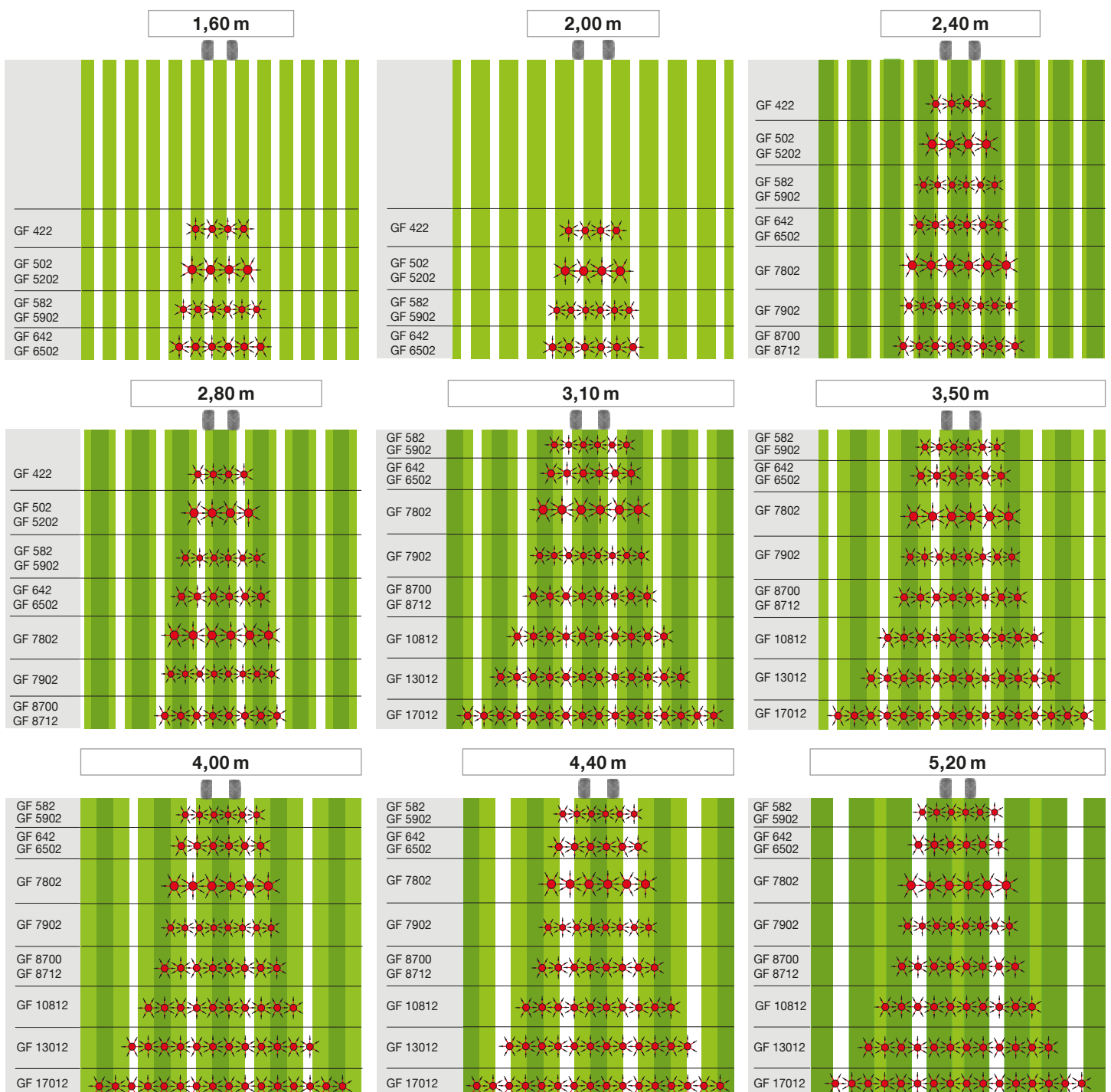
Folding and unfolding operations are very quick and easy thanks to the KGF 10 hydraulic control box. Time lost in moving from one field to another is reduced to a minimum to give maximum daily output.

FINDING POWERFUL HARVEST SYSTEM SOLUTIONS

GMD disc mowers are set for work in standard configuration.
 FC disc mower conditioners are fitted with deflectors.
 When open, they allow wide spreading whereas closed they produce narrow swaths.

■ Wide spreading (GMD or FC) ■ Narrow swath (FC)

REAR MOUNTED MOWERS OR MOWER CONDITIONERS





FOR A POWERFUL FORAGE HARVESTING CHAIN

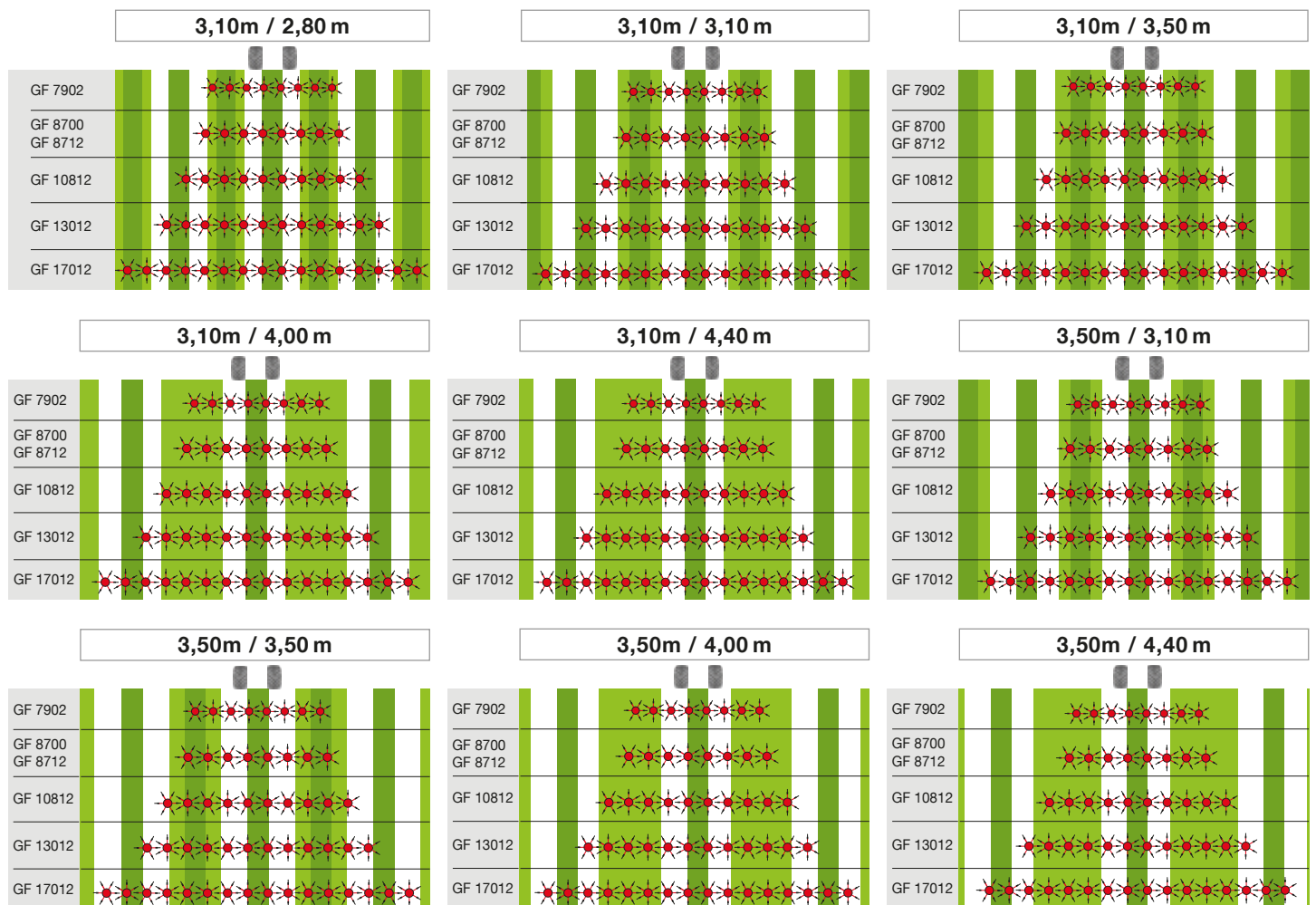
The forage harvesting chain is only as strong as its weakest link. It's important that all machines do well interlock. This table will help you to select the correct tedder width to match your disc mower or disc mower conditioner. Also consult the KUHN ForageXpert app, which can support you in optimizing your harvest system according to your current equipment



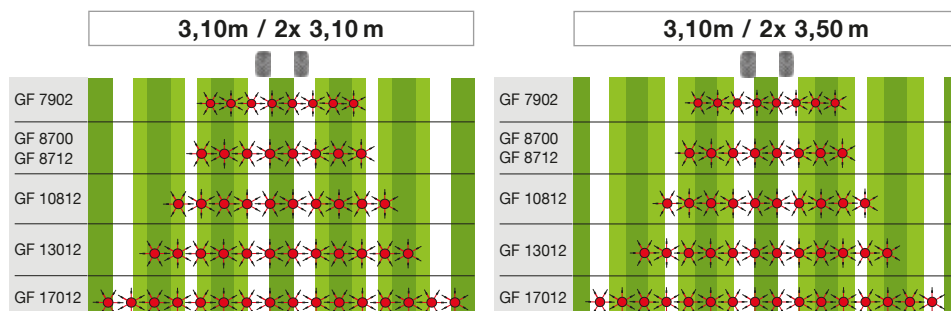
Scan this code for direct access to the KUHN ForageXpert app.



FRONT / REAR COMBINATIONS



COMBINAISONS TRIPLE



Specifications							
	GF 422	GF 502	GF 582	GF 642	GF 5202	GF 5902	GF 6502
Working width DIN 11220 (m/ft)	4.20 / 13'9"	5.00 / 16'5"	5.75 / 18'8"	6.40 / 21'	5.20 / 17'1"	5.90 / 19'4"	6.50 / 21'3"
Work position width (m/ft)	4.66 / 15'2"	5.43 / 17'8"	6.00 / 19'7"	6.75 / 22'1"	5.85 / 19'1"	6.19 / 20'3"	6.96 / 22'8"
Number of rotors	4		6		4	6	
Number of tine arms per rotor	6		5	6	7	5	6
Transport width (m/ft)	2.50 / 8'2"	2.85 / 9'4"	2.40 / 7'9"	2.95 / 9'7"	2.99 / 9'8"	2.53 / 8'4"	2.99 / 9'8"
Transport height (m/ft)	2.37 / 7'8"	2.72 / 9'	2.95 / 9'7"	3.30 / 10'9"	2.80 / 9'2"	3.02 / 9'9"	3.29 / 10'8"
Transport length (m/ft)							
Oblique setting	Manual setting on wheels				◆ Mechanical		
Rotor lift at headlands – HLC function	-						
Wheel deflectors	◇				◇	◆	
Tine deflectors	-						
Pitch angle setting – tool-free	Fixed				3 positions	2 positions	
Rotor drive							
PTO speed							
Secondary drive							
Free wheel							
Tyres - 2 central rotors	15 x 6.00 - 6				16 x 6.50 - 8		
Tyres – Outer rotors	15 x 6.00 - 6						
Tyres- Transport undercarriage							
Spare wheel for rotors							
Linkage	3 point - Cat. 1 and 2						
Headstock	Pivoting						
Stabilisation					Mechanical stabiliser by brake		
Tractor hydraulic equipment	1 SA		1 DA	1 SA	1 DA		1 SA
Tractor electric equipment	-						
Approx. min. PTO power (kW)	15		20	22	17	20	22
Approx. min. PTO power (hp)	20		27	30	23	27	30
Lighting and signalling	-						
Weight (kg/lbs)	452/996	522/1,150	690/1,521	850/1,874	660/1,455	810/1,787	920/2,028

◆ Standard ◇ Option - Not available



KUHN PARTS

Designed and manufactured to rival time

KUHN foundries and forge as well as a high-level manufacturing process allow the production of spare parts to defy time. You can truly rely on our know-how and our genuine parts. Farmers benefit from our client support and logistics services via any KUHN PARTS warehouse, which provide quick and reliable repair solutions in cooperation with your nearest authorized KUHN dealer.



GF 7802	GF 7902	GF 7802 T GII	GF 7902 T GII	GF 8700	GF 8712	GF 10812	GF 8712 T	GF 10812 T	GF 13012	GF 17012	
7.80 / 25'5"	7.80 / 25'5"	7.80 / 25'5"	7.80 / 25'5"	8.70 / 28'5"	8.70 / 28'5"	10.80 / 35'4"	8.70 / 28'5"	10.80 / 35'4"	13.00 / 42'6"	17.20 / 56'4"	
8.37 / 27'4"	8.09 / 26'5"	8.37 / 27'4"	8.09 / 26'5"	9.12 / 29'9"	9.12 / 29'9"	11.20 / 36'7"	9.12 / 29'9"	11.20 / 36'7"	13.40 / 43'9"	17.70 / 58'	
	8	6	8			10	8	10	12	16	
7	5	7	5	6	6						
2.99 / 9'8"	2.99 / 9'8"	2.99 / 9'8"	2.99 / 9'8"	2.99 / 9'8"	2.99 / 9'8"	2.99 / 9'8"	2.99 / 9'8"	2.99 / 9'8"	2.40 / 7'9"	2.40 / 7'9"	
3.36 / 11'	2.95 / 9'7"	3.53 / 11'6"	3.15 / 10'3"	3.25 /	3.35 / 10'9"	3.65 / 11'10"	3.15 / 10'3"	3.30 / 10'8"	2.68 / 8'8"	2.68 / 8'8"	
									6.50 / 21'3"	7.50 / 24'6"	
centralised		◆ Hydraulic		◇ (right side hydraulic pivot curtain)	◇ (connecting rods + cylinder)				◇ (right side hydraulic pivot curtain)		
◆		◇		◆							
◆		◇		◆							
◆		◇		◆							
3 positions	2 positions	3 positions	2 positions	Fixed	2 positions						
By DIGIDRIVE system in forged, case-hardened steel											
540									1 000		
With torque limiter			-			With torque limiter					
Standard									Integrated in the central gearbox		
	16 x 9.50 - 8	16 x 6.50 - 8	16 x 9.50 - 8	16 x 6.50 - 8	18 x 8.5 - 8				16 x 6.50 - 8		
16 x 6.50 - 8									16 x 6.50 - 8		
		26 x 12.00 - 12		-		-		26 x 12 - 12		10.0 / 75 - 15.3	13.0 / 55 - 16
◇									◆		
3 point - Cat 2									Drawbar		
		-		Pivoting			-				
2 powerful dampers + suspension springs		-		2 stabilisers with brake and springs		2 powerful dampers + suspension springs		-			
1 DA		2 DA		1 DA				1 DA with float position			
1 7-pin connector									1 7-pin connector and 1 3-pin ISO connector		
30				36		36		40		36	
40				50		50		55		50	
		◆									
1,085/2,391	1,150/2,535	1,430/3,153	1,515/3,340	1,200/2,645	1 380/3,042	1 620/3,571	1 760/3,880	1 980/4,365	2,800/6,175	3,400/7,500	

KUHN SERVICES* Maximize the use and productivity of your KUHN equipment

*Not all services and equipment are available in every country.

KUHN sos order

Express spare parts service 24/7

You urgently need spare parts? With KUHN SOS order benefit from express delivery seven days a week, 365 days a year. Thus, you can minimize machine downtime considerably and increase your work output.

KUHN protect +

The choice of professionals!

Benefit from 36 months in complete serenity because of KUHN's protect + warranty. You can concentrate exclusively on your work and the performance of your machine. Because this is what you expect, when investing in high-tech machinery.

KUHN i tech

For ever quicker repairs!

An unexpected technical problem always occurs at the wrong time. Your KUHN dealer can support you quickly and efficiently thanks to KUHN i tech. With this 24/7 online service, a quick and exact diagnosis is possible.

KUHN finance

Invest rationally!

New machine necessary, financing unsure? Modernize your equipment and develop your farm with KUHN finance, in total safety and according to your needs and demands. We offer custom-made finance solutions, adapted to your requirements.

FIND YOUR CUSTOM-MADE TEDDER!

Comparison

GYROTEDDERS

	GF 422 GF 502	GF 582 GF 642	GF 8700	GF 6502 GF 7902 GF 8702	GF 5202 GF 7802	GF 7802 T GII	GF 7902 T GII	GF 8712 / GF 8712 T / GF 10812 /GF 10812 T	GF 13012 GF 17012
Tedding quality: short crop	++	+++	+++	+++	++	++	+++	+++	+++
Tedding quality: long and/or dense crop	++	++	++	++	+++	+++	++	++	++
Reliability of rotor drive	+++	+++	+++	+++	+++	+++	+++	+++	+++
Adjustment comfort of border tedding system	+	+	++**	++ (+++*)	++ (+++*)	+++	+++	+++*	++**
Rotor angle adjustment	-	-	-	+++	+++	+++	+++	+++	+++

+++ optimum ++ very good + good o suitable - not available *with optional hydraulic control **with windrow curtain

Forage harvest implements from the leading manufacturer!



1. Rear disc mowers - 2. Rear drum mowers - 3. Front-mounted mowers and mower conditioners - 4. Rear disc mower conditioners
5. Triple gang mowers and mower conditioners - 6. Gyrorakes - 7. Belt mergers - 8. Tedder-rake combinations

For more information about your nearest KUHN dealer, visit our website www.kuhn.com

KUHN SAS

4 Impasse des Fabriques - BP 50060
F-67706 Saverne CEDEX - FRANCE

KUHN NORTH AMERICA, INC.

1501 West Seventh Avenue - Brodhead,
WI 53520 - USA

KUHN FARM MACHINERY PTY. LTD

313-325 Foleys Road - Deer Park, VIC, 3023 - AUSTRALIA

KUHN FARM MACHINERY (U.K.) LTD

Stafford Park 7 - GB TELFORD/ SHROPS TF3 3BQ



Visit us on our YouTube channels.

 www.kuhn.com	Your KUHN dealer
--	------------------

Information given in this document is only for information purposes and is non-contractual. Our machines are in compliance with regulations in force in the country of delivery. In our literature, and for improved illustration of certain details, some safety devices may not be in operating position. When operating these machines, these devices must be in position in accordance with the requirements indicated in the operator's manuals and assembly manuals. Respect the tractor gross vehicle weight rating, its lift capacity and maximum load per axle and tyres. The tractor front axle load must always comply with the regulations of the country of delivery (In Europe, it must reach minimum 20 % of the tractor net weight). We reserve the right to change any designs, specifications or materials listed without further notice. Machines and equipment in this document can be covered by at least one patent and/or registered design. Trademarks cited in this document may be registered in one or several countries.

Also find KUHN on

